

11 Tubbs St, Clontarf QLD 4019

Email admin@flairshowers.com.au

Ph 07 3883 2899

Web www.flairshowers.com.au

1080mm x 1080mm x 2000mm– 2 piece Shower Cubicle

The Monica shower cubicle is a two-piece unit that can be dismantled to fit through a standard doorway. Bolted together with Stainless Steel Bolts it can be silicon sealed from behind before installed. With a freestanding base as standard, installing is quick and easy. The Monica comes with a low step/hob; it suits being fitted with a glass shower screen. Two moulded soap holders in the corner are provided. A version of the Monica with a moulded seat can also be made for a little bit of luxury.

Features

Two Piece Construction

Free Standing Base with a Low Step/Hob

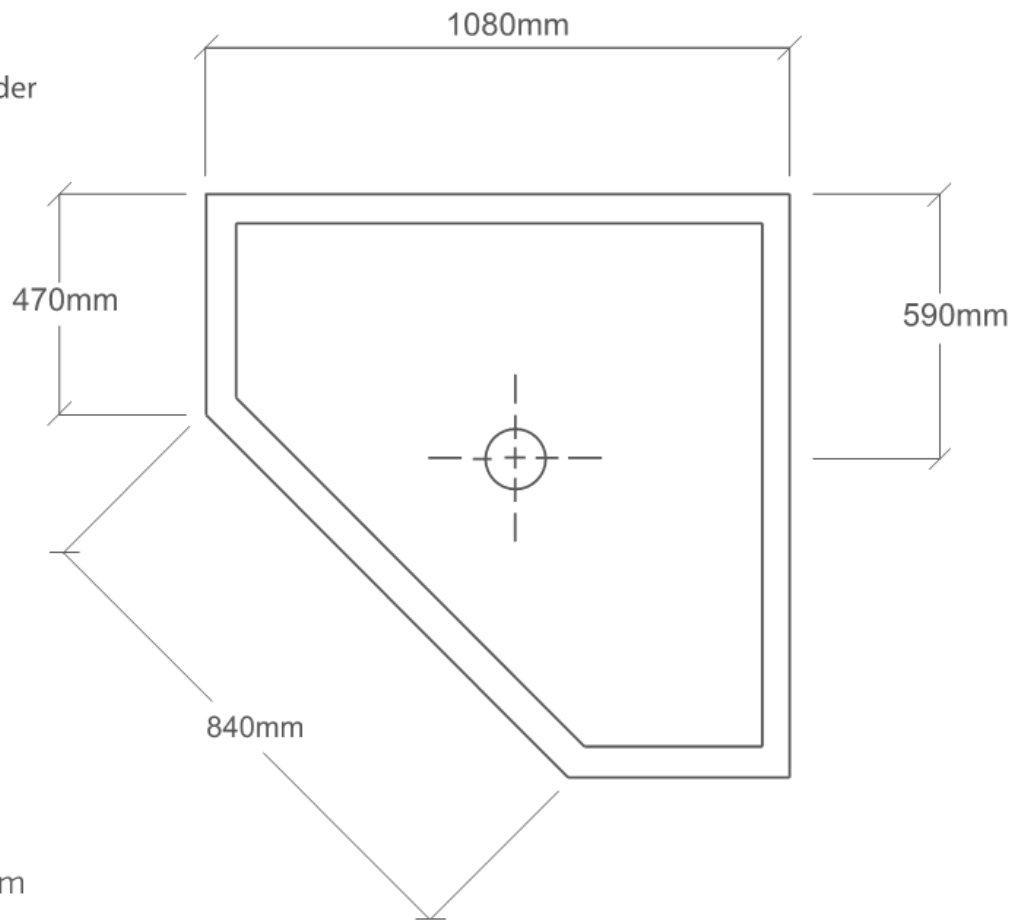
Ideal for Shower Screen

Moulded Soap Holders

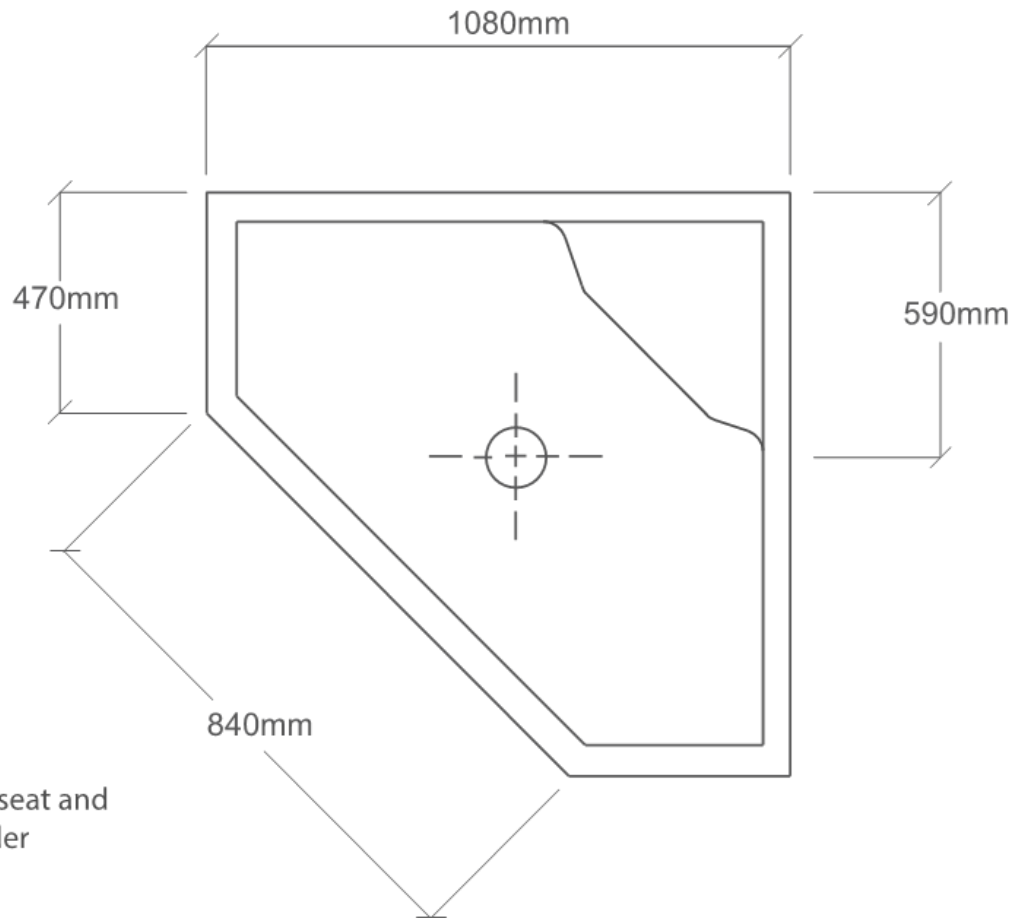
Can be supplied with Moulded Seat



Standard tray and wall with soap holder



Height: 2000mm
Raised Base Height: 2080mm
Depth: 65mm
Height dimensions are subject to change.



Standard tray with seat and wall with soap holder