

**Standard - 900mm x 760mm x 1850mm**

**Raised Base Height – 1950mm**

The Rachelle is a one piece shower cubicle that will fit through a standard doorway. We manufacture three variations of this model (please see below for details). The freestanding base and fixing flange make install quick and easy. We recommend this model for use with a shower curtain and our Marianne Low Step cubicle for use with shower screen. We can supply this shower in a raised base, but please note the step will be minimum 400mm high.

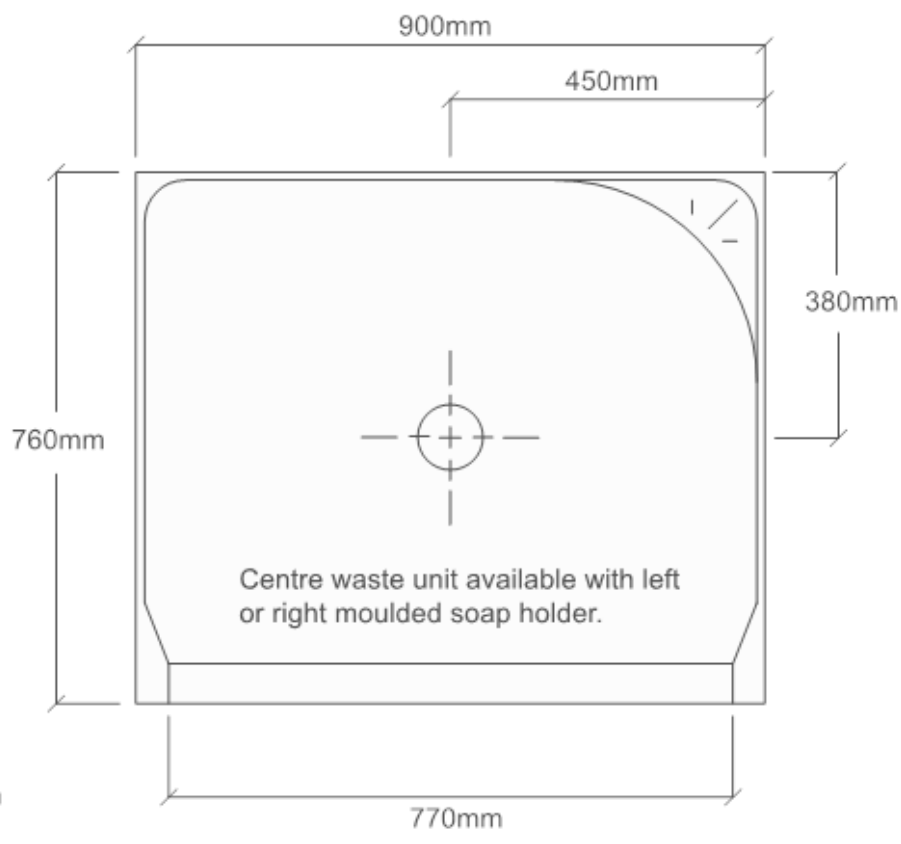
## Features

- Leak Proof 1 Piece Construction
- No Mortar required with Free Standing Base
- Standard or Raised Base (kick panel supplied)
- Practical Design with centre or rear waste positions
- Fixing Flanges around edges allow you to easily secure the cubicle to studwork
- High Step/Hob that is ideal for shower curtain
- Can be factory fitted with plumbing and fixtures to suit your requirements
- Australian Made in our factory
- 1 Year Warranty on Workmanship and Materials

## Models Available

- Rachelle 900mm x 760mm x 1850mm Centre Waste with Left Hand Soap Holder
- Rachelle 900mm x 760mm x 1850mm Centre Waste with Right Hand Soap Holder
- Rachelle 900mm x 760mm x 1850mm Rear Waste with Left and Right Soap Holders





Height: 1850mm  
Raised Base Height: 1950mm  
Depth: 280mm

