

Standard - 1210mm x 900mm x 1960mm

Raised Base Height – 2060mm

The Presidential is a one piece shower that features a moulded soap shelf on the left, and a moulded seat on the right. With a freestanding base and a fixing flange, installing this cubicle is quick and easy. This cubicle can be fitted with grab rails and a hand shower suiting customers that require a shower with disability access. Please be aware that this cubicle will not fit through a standard doorway – remember to measure your on-site access before confirming purchase. If your access is limited, the Lorelle or Liana cubicles may suit your requirements.

Features

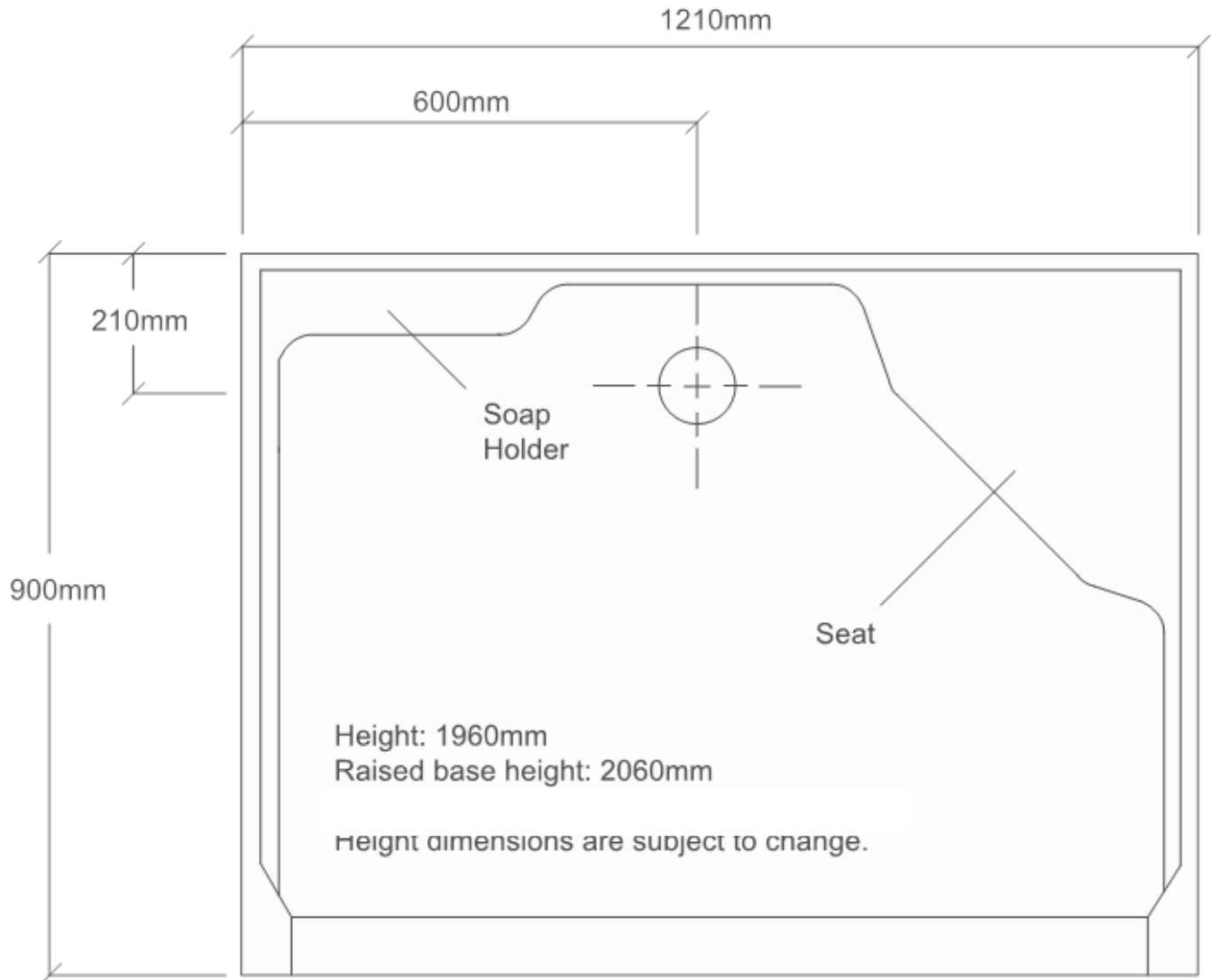
- Leak Proof 1 Piece Construction
- No Mortar required with Free Standing Base
- Standard or Raised Base (kick panel supplied)
- Reinforced Moulded Seat and Soap Shelf
- Fixing Flanges around edges allow you to easily secure the cubicle to studwork
- Low Step/Hob that is ideal for shower screen or curtain
- Can be factory fitted with plumbing and fixtures to suit your requirements
- Australian Made in our factory
- 1 Year Warranty on Workmanship and Materials

Standard Base



Raised Base





*Dimensions are **Guide Only** and subject to change